

7 Berhimi



Live  
The  
Comfort

---

*Live  
The  
Comfort*

---

# INDEX

■ Fenster   White - Black.....	2
■ Dachfenster .....	5
■ Türen .....	8
■ Möbelzubehör.....	10
■ Kühlschränke .....	17
■ Dunstabzugshauben.....	19
■ Sanitäranlagen .....	20
■ Wassersysteme .....	21
■ Notizen .....	22

■ Euro Vision Window | 300x500 | **White - Black**



**Technical Specifications**

Dimensions (WxHxD)	300x500 mm
Weight	2.4 Kg
Cut Hole	303x503 mm
Frame Color	Beige / Black
Hinge Type	Top-Hung
Hole Fillet (mm)	R70
Standard Mount. Material Thickness	25-35 mm

<b>Code White</b>	<b>10-203050</b>
<b>Code Black</b>	<b>10-213050</b>

■ Euro Vision Window | 300x700 | **White - Black**



**Technical Specifications**

Dimensions (WxHxD)	300x700 mm
Weight	3.1 Kg
Cut Hole	303x703 mm
Frame Color	Beige / Black
Hinge Type	Top-Hung
Hole Fillet (mm)	R70
Standard Mount. Material Thickness	25-35 mm

<b>Code White</b>	<b>10-203070</b>
<b>Code Black</b>	<b>10-213070</b>

■ Euro Vision Window | 350x600 | **White - Black**



**Technical Specifications**

Dimensions (WxHxD)	350x600 mm
Weight	3.1 Kg
Cut Hole	353x603 mm
Frame Color	Beige / Black
Hinge Type	Top-Hung
Hole Fillet (mm)	R70
Standard Mount. Material Thickness	25-35 mm

<b>Code White</b>	<b>10-203560</b>
<b>Code Black</b>	<b>10-213560</b>

■ Euro Vision Window | 450x500 | **White - Black**



**Technical Specifications**

Dimensions (WxHxD)	450x500 mm
Weight	3.3 Kg
Cut Hole	453x503 mm
Frame Color	Beige / Black
Hinge Type	Top-Hung
Hole Fillet (mm)	R70
Standard Mount. Material Thickness	25-35 mm

<b>Code White</b>	<b>10-204550</b>
<b>Code Black</b>	<b>10-214550</b>

■ Euro Vision Window | 450x610 | **White - Black**



**Technical Specifications**

Dimensions (WxHxD)	450x610 mm
Weight	3.6 Kg
Cut Hole	453x613 mm
Frame Color	Beige / Black
Hinge Type	Top-Hung
Hole Fillet (mm)	R70
Standard Mount. Material Thickness	25-35 mm
<b>Code White</b>	<b>10-204561</b>
<b>Code Black</b>	<b>10-214561</b>

■ Euro Vision Window | 450x900 | **White - Black**



**Technical Specifications**

Dimensions (WxHxD)	450x900 mm
Weight	5.4 Kg
Cut Hole	453x903 mm
Frame Color	Beige / Black
Hinge Type	Top-Hung
Hole Fillet (mm)	R70
Standard Mount. Material Thickness	25-35 mm
<b>Code White</b>	<b>10-204590</b>
<b>Code Black</b>	<b>10-214590</b>

■ Euro Vision Window | 450x1100 | **White - Black**



**Technical Specifications**

Dimensions (WxHxD)	450x1100 mm
Weight	6.5 Kg
Cut Hole	453x1103 mm
Frame Color	Beige / Black
Hinge Type	Top-Hung
Hole Fillet (mm)	R70
Standard Mount. Material Thickness	25-35 mm
<b>Code White</b>	<b>10-204511</b>
<b>Code Black</b>	<b>10-214511</b>

■ Euro Vision Window | 500x520 | **White - Black**



**Technical Specifications**

Dimensions (WxHxD)	500x520 mm
Weight	3.4 Kg
Cut Hole	503x553 mm
Frame Color	Beige / Black
Hinge Type	Top-Hung
Hole Fillet (mm)	R70
Standard Mount. Material Thickness	25-35 mm
<b>Code White</b>	<b>10-205052</b>
<b>Code Black</b>	<b>10-215052</b>

■ Euro Vision Window | 500x900 | **White - Black**



**Technical Specifications**

Dimensions (WxHxD)	500x900 mm
Weight	5.8 Kg
Cut Hole	503x903 mm
Frame Color	Beige / Black
Hinge Type	Top-Hung
Hole Fillet (mm)	R70
Standard Mount. Material Thickness	25-35 mm
<b>Code White</b>	<b>10-205090</b>
<b>Code Black</b>	<b>10-215090</b>

■ Euro Vision Window | 500x1200 | **White - Black**



**Technical Specifications**

Dimensions (WxHxD)	500x1200 mm
Weight	6.8 Kg
Cut Hole	503x1203 mm
Frame Color	Beige / Black
Hinge Type	Top-Hung
Hole Fillet (mm)	R70
Standard Mount. Material Thickness	25-35 mm
<b>Code White</b>	<b>10-205012</b>
<b>Code Black</b>	<b>10-215012</b>

■ Euro Vision Window | 550x1450 | **White - Black**



**Technical Specifications**

Dimensions (WxHxD)	550x1450 mm
Weight	9.2 Kg
Cut Hole	553x1453 mm
Frame Color	Beige / Black
Hinge Type	Top-Hung
Hole Fillet (mm)	R70
Standard Mount. Material Thickness	25-35 mm
<b>Code White</b>	<b>10-205514</b>
<b>Code Black</b>	<b>10-215514</b>

■ Euro Vision Window | **Black**



■ Rubber Vision Window | 300x500 | **White**



**Technical Specifications**


Dimensions (WxHxD)	300x500 mm
Weight	2.6 Kg
Cut Hole	300x500 mm
Frame Color	White
Hinge Type	Top-Hung
Hole Fillet (mm)	R70
Standard Mount. Material Thickness	26x29 / 30x33 / 34x37
<b>Code White</b>	<b>11-203050</b>

■ Rubber Vision Window | 360x720 | **White**



**Technical Specifications**

Dimensions (WxHxD)	360x720 mm
Weight	3.9 Kg
Cut Hole	360x720 mm
Frame Color	White
Hinge Type	Top-Hung
Hole Fillet (mm)	R70
Standard Mount. Material Thickness	26x29 / 30x33 / 34x37
<b>Code White</b>	<b>11-203672</b>

 Rubber Vision Window | 500x900 | **White**



**Technical Specifications**

Dimensions (WxHxD)	500x900 mm
Weight	3.9 Kg
Cut Hole	500x900 mm
Frame Color	White
Hinge Type	Top-Hung
Hole Fillet (mm)	R70
Standard Mount. Material Thickness	26x29 / 30x33 / 34x37
<b>Code White</b>	<b>11-205090</b>

 Rubber Vision Window | 600x1250 | **White**



**Technical Specifications**

Dimensions (WxHxD)	360x720 mm
Weight	3.9 Kg
Cut Hole	600x1250 mm
Frame Color	White
Hinge Type	Top-Hung
Hole Fillet (mm)	R70
Standard Mount. Material Thickness	26x29 / 30x33 / 34x37
<b>Code White</b>	<b>11-206012</b>



■ Curved Roof Window | 600x900 | **White**



**Technical Specifications**

Dimensions (WxHxD)	600x900 mm
Standard Mount. Material Thickness	30-31 or 35-36 mm
Hole Fillet (mm)	4R70-75 mm
Openable Angle	45 °C
Dimensions	732x1265 mm (Outside) 762x1065 mm (Inside)
Suitable for Roof Radius	R3500
<b>Code</b>	<b>13-206090</b>

■ Curved Roof Window | 570x565 mm | **White**



**Technical Specifications**

Dimensions (WxHxD)	570x565 mm
Standard Mount. Material Thickness	30-31 or 35-36 mm
Hole Fillet (mm)	4R70-75 mm
Openable Angle	45 °C
Dimensions	695x927 mm (Outside) 723x728 mm (Inside)
Suitable for Roof Radius	R2150
<b>Code</b>	<b>13-205756</b>

■ Turbo Vents / Vent 28 | 358x363 | **White**



**Technical Specifications**

Dimensions	358x363 mm (Outside) 320.5x320.5 mm (Inside)
Weight	2.19 Kg
Cut Hole	280x280 mm
Openable Angle	50 °C
Voltage	12 V
Current	4 W
Standard Mount. Material Thickness	28x80 mm
<b>Code</b>	<b>13-22828</b>

■ Door | Tür1810



**Technical Specifications**

Dimensions (WxH)	600x1810 mm
Cut Hole	602x1812 mm
Hole Fillet (mm)	4-R90 mm
Selection	Right Hand
Openable Angle	180 °C
<b>Code</b>	<b>16-21810</b>

■ Door | Tür1920

**Technical Specifications**

Dimensions (WxH)	620x1920 mm
Cut Hole	622x1922 mm
Hole Fillet (mm)	4-R90 mm
Selection	Right Hand
Openable Angle	180 °C
<b>Code</b>	<b>16-21920</b>



■ Door | Tür1800



**Technical Specifications**

Dimensions (WxH)	580x1800 mm
Cut Hole	582x1802 mm
Hole Fillet (mm)	4-R90 mm
Selection	Left Hand
Openable Angle	180 °C
<b>Code</b>	<b>16-21800</b>

■ Door | Tür1810



**Technical Specifications**

Dimensions (WxH)	620x1820 mm
Cut Hole	622x1822 mm
Hole Fillet (mm)	2-R90 mm
Selection	Right Hand
Openable Angle	180 °C
<b>Code</b>	<b>16-21810</b>

■ Door | Tür1750



**Technical Specifications**

Dimensions (WxH)	622x1750 mm
Cut Hole	624x1752 mm
Hole Fillet (mm)	2R-90/4R-90/2TS
Selection	Right Hand
Openable Angle	180 °C
<b>Code</b>	<b>16-21750</b>



■ Pull Ring Slam | Pull Ring Slam Latch



**Technical Specifications**

Material	Zinc Alloy
Weight	0.1 Kg
Selection	Keyless
Color	Chorme
<b>Code</b>	<b>78-30100</b>

■ Pull Ring Slam | Pull Ring Slam Latch (With Lock)



**Technical Specifications**

Material	Zinc Alloy
Weight	0.11 Kg
Selection	With key
Color	Chorme
<b>Code</b>	<b>78-30101</b>

■ Pull Ring Slam | Pull Ring Slam Latch (Black)



**Technical Specifications**

Material	ABS
Weight	0.1 Kg
Selection	Keyless
Color	Black
<b>Code</b>	<b>78-31100</b>

■ Push Pull | **Push Pull (Small)**



**Technical Specifications**

Material	Zinc Alloy + ABS
Weight	0.035 Kg
Color	Brown & Nickel
Cut Hole	20 mm
Standard Mount. Material Thickness	15-20 mm
<b>Code</b>	<b>71-40100</b>

■ Push Pull | **Push Pull (Square)**



**Technical Specifications**

Material	Zinc Alloy + ABS
Weight	0.12 Kg
Color	Chorme
Cut Hole	31 mm
Standard Mount. Material Thickness	15-16 mm
<b>Code</b>	<b>71-40200</b>

■ Push Pull | **Push Pull (Square)**



**Technical Specifications**

Material	Zinc Alloy + ABS
Weight	0.12 Kg
Color	Black
Cut Hole	31 mm
Standard Mount. Material Thickness	15-16 mm
<b>Code</b>	<b>71-40201</b>

■ Push Pull | **Push Pull (Handle with integrated)**



**Technical Specifications**

Material	Zinc Alloy + ABS
Weight	0.17 Kg
Color	Chrome
Cut Hole	12 mm
Standard Mount. Material Thickness	14-16 mm
<b>Code</b>	<b>71-50100</b>

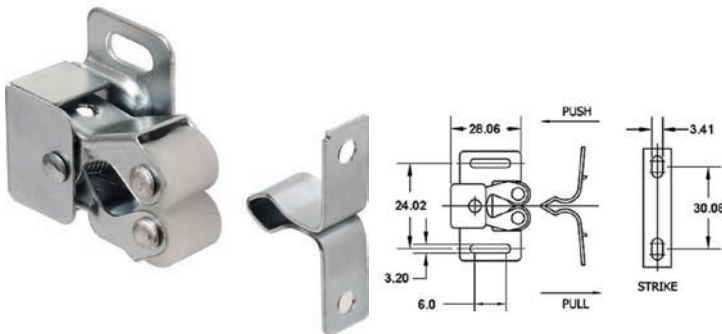
■ Push Pull | **Push Pull (Washroom Door Lock)**



**Technical Specifications**

Material	Zinc Alloy + ABS
Weight	0.45 Kg
Color	Brown & Nickel
Cut Hole	26 mm
Standard Mount. Material Thickness	15-18 mm
<b>Code</b>	<b>71-40300</b>

■ Push Pull | **Twin Roller Catch**



**Technical Specifications**

Material	Zinc Alloy + ABS
Color	Brown & Chrome
Standard Mount. Material Thickness	16-32 mm
<b>Code</b>	<b>71-60100</b>

■ Push Pull | **Push Pull (Half Moon)**



**Technical Specifications**

Material	Zinc Alloy + ABS
Weight	0.10 Kg
Color	Nickel
Cut Hole	14-16 mm
<b>Code</b>	<b>71-50200</b>

■ Door Latches | **Recessed Grip Lock**



**Technical Specifications**

Material	Zinc Alloy
Weight	15 Kg
Color	Black Povder Coated
Cut Hole	22.5 - 19.5 mm
Standard Mount. Material Thickness	32 mm
<b>Code</b>	<b>33540422285</b>

■ Door Latches | **Service Door Handle Lock**



**Technical Specifications**

Material	"T" (Zinc Alloy With Chrome Coated)
Material	Mirror-Polish Stainless Steel or Zinc-Plating Steel
<b>Code</b>	<b>33540422287</b>

■ Door Latches | **Entry Door Handle (With LED)**



**Technical Specifications**

Material	Stainless Steel
Color	Chorme
Cut Hole	12 mm
Standard Mount. Material Thickness	14-16 mm
Voltage:	12 V
<b>Code</b>	<b>33540422277</b>

■ Door Latches | **Entry Door Handle (With LED)**



**Technical Specifications**

Material	Zinc Alloy+ Aluminum+Leather
Cut Hole	463 mm
Standard Mount. Material Thickness	14-16 mm
Voltage:	12 V
<b>Code</b>	<b>33540422301</b>

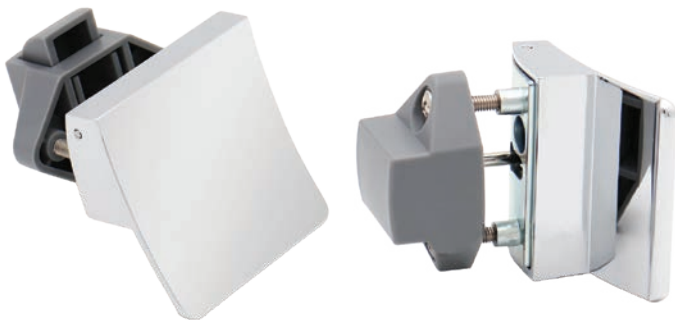
■ Pull Open Handle | Pull Open Handle (Square)



**Technical Specifications**

Material	Zinc Alloy + ABS
Weight	0.125 Kg
Color	Chrome
Cut Hole	10 mm
Standard Mount. Material Thickness	12-18 mm
<b>Code</b>	<b>71-70100</b>

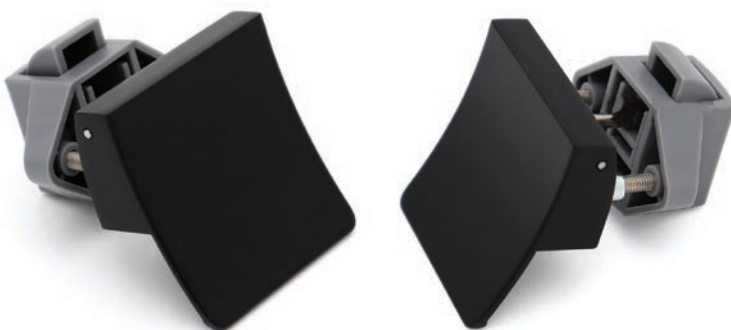
■ Pull Open Handle | Pull Open Handle (Cabinet Lock)



**Technical Specifications**

Material	Zinc Alloy + ABS
Color	Chorme
Cut Hole	7 mm
Standard Mount. Material Thickness	14-16 mm
<b>Code</b>	<b>71-70101</b>

■ Pull Open Handle | Pull Open Handle (Cabinet Lock Black)



**Technical Specifications**

Material	Zinc Alloy + ABS
Color	Black
Cut Hole	7 mm
Standard Mount. Material Thickness	14-16 mm
<b>Code</b>	<b>71-70102</b>



■ Door Lock | **Door Lock**



**Technical Specifications**

Selection	With Key
Material	Zinc Alloy
Color	Black
Cut Hole	68x92 mm
Standard Mount. Material Thickness	32-38 mm
<b>Code</b>	<b>70-10100</b>

■ Door Lock | **Door Lock (White)**



**Technical Specifications**

Selection	With Key
Material	Zinc Alloy
Color	White
Cut Hole	68x92 mm
Standard Mount. Material Thickness	32-38 mm
<b>Code</b>	<b>70-11100</b>

■ Door Lock | **Door Lock (Chrome)**



**Technical Specifications**

Selection	With Key
Material	Zinc Alloy
Color	Chrome
Cut Hole	68x92 mm
Standard Mount. Material Thickness	32-38 mm
<b>Code</b>	<b>70-12100</b>

■ Door Lock | **Cabin Door Lock**



**Technical Specifications**

Selection	With key
Material	PP
Color	Black
Cut Hole	30 mm
Standard Mount. Material Thickness	1-35 mm
<b>Code</b>	<b>33540422268</b>

■ Door Lock | Bathroom Door Lock



**Technical Specifications**

Material	Zinc Alloy + ABS
Color	Silver
Cut Hole	19 mm
Weight	0.28 Kg
Standard Mount. Material Thickness	14-16 mm
<b>Code</b>	<b>33540422302</b>

■ Door Lock | Toilet Door Lock



**Technical Specifications**

Material	Zinc Alloy + ABS
Color	Silver
Cut Hole	19 mm
Weight	0.28 Kg
Standard Mount. Material Thickness	14-16 mm
<b>Code</b>	<b>33540422305</b>

■ Accessories | FIXO 1 (Brown)



**Technical Specifications**

Material	PP
Color	Brown
Cut Hole	26 mm
Application Area	Furniture Corner Joint
<b>Code</b>	<b>71-30100</b>

■ Refrigerators | Cold 50



**Technical Specifications**

Dimensions (WxHxD)	380x530x490 mm
Weight	16.8 KG
Voltage	120 / 240 V (AC) - 12 / 24 V (DC)
Volume	4.5 L (Freezer) + 42 L (Fridge)
Consumption	40 W
Current	1A / 05A (AC) - 5.0A / 2.6A (DC)
Freezer	-18°C
Selection	LED
Refrigerator	+5°C ~ +15°C
Hinge Type	Left Hing or Right Hing
<b>Code</b>	<b>30-91500</b>

■ Refrigerators | Cold 85



**Technical Specifications**

Dimensions (WxHxD)	475x630x545 mm
Weight	21 KG
Voltage	120 / 240 V (AC) - 12 / 24 V (DC)
Volume	8 L (Freezer) + 70L (Fridge)
Consumption	48 W
Current	1.2A / 0.55A (AC) - 5.5A / 2.8A (DC)
Freezer	-18°C
Selection	LED
Refrigerator	+5°C ~ +15°C
Hinge Type	Left Hing or Right Hing
<b>Code</b>	<b>30-91800</b>

■ Refrigerators | Cold 90



**Technical Specifications**

Dimensions (WxHxD)	418x975x480 mm
Weight	20.5 Kg
Voltage	120 / 240 V (AC) - 12 / 24 V (DC)
Volume	15 L (Freezer) + 60 L (Fridge)
Consumption	48 W
Current	1A / 0.5A (AC) - 5.5A / 2.8A (DC)
Freezer	-18°C
Selection	LED
Refrigerator	+5°C ~ +15°C
Hinge Type	Left Hing or Right Hing
<b>Code</b>	<b>30-91900</b>

Refrigerators | **Cold 150**



**Technical Specifications**

Dimensions (WxHxD)	418x1498x560 mm
Weight	33.4 Kg
Voltage	120 / 240 V (AC) - 12 / 24 V (DC)
Volume	26 L (Freezer) + 122 L (Fridge)
Consumption	55 W
Current	1.5A / 0.75A (AC) - 6.0A / 3.0A (DC)
Freezer	-18°C
Selection	LED
Refrigerator	+5°C ~ + 15°C
Hinge Type	Left Hing or Right Hing
<b>Code</b>	<b>30-91150</b>

Kühlschrank Zubehör

Accessories | **Went 45**



**Technical Specifications**

Dimensions (WxHxD)	451x156x42 mm
Color:	White
Selection	Without Fan
<b>Code</b>	<b>39-9100</b>

Accessories | **Went 50**



**Technical Specifications**

Dimensions (WxHxD)	490x250x42 mm
Color:	White
Selection	Without Fan
<b>Code</b>	<b>39-9200</b>

Accessories | **Went 50F**



**Technical Specifications**

Dimensions (WxHxD)	490x250x58 mm
Color:	White
Selection	With Fan
<b>Code</b>	<b>39-9300</b>

■ Range Hood | C500



**Technical Specifications**

Dimensions (WxHxD)	381 x 50 x 286 mm
Voltage	12 V
Consumption	40 W
Air Flow Rate	16 m <sup>3</sup> /min
Selection	With LED
Built-in Dimensions:	381x50x286 mm
<b>Code</b>	<b>89-20500</b>

■ Range Hood | C550



**Technical Specifications**

Dimensions (WxHxD)	552x55x230 mm
Voltage	12 V
Consumption	40 W
Air Flow Rate	16 m <sup>3</sup> /min
Selection	With LED
Built-in Dimensions:	465 x 64 x 184 mm
<b>Code</b>	<b>89-20550</b>

■ Range Hood | C700



**Technical Specifications**

Dimensions (WxHxD)	531 x 50 x 286 mm
Voltage	12 V
Consumption	40 W
Air Flow Rate	17 m <sup>3</sup> /min
Selection	LED
Built-in Dimensions:	531x50x286 mm
<b>Code</b>	<b>89-20700</b>

■ Toilets | Pro6000



**Technical Specifications**

Weight	4.8 Kg
Color	White & Grey
Capacity of flush-water tank	14 L
Capacity of waste-holding tank	20 L
<b>Code</b>	<b>40-26000</b>

■ Toilets | Pro9000

**Technical Specifications**

Weight	5.3 Kg
Color	White
Capacity of flush-water tank	14 L
Capacity of waste-holding tank	20 L
Dimensions	44.2x36.2x42.3 cm
<b>Code</b>	<b>40-29000</b>



■ Water Cap | **White**



**Technical Specifications**

Color	White
Standard Mount. Material Thickness	22 - 35 mm
Cut Hole	85 mm
<b>Code</b>	<b>79-22000</b>

■ Water Cap | **Black**



**Technical Specifications**

Color	Black
Standard Mount. Material Thickness	22 - 35 mm
Cut Hole	85 mm
<b>Code</b>	<b>79-21000</b>





Berhimi - Alle Rechte vorbehalten.

Kein Teil dieser Veröffentlichung darf in irgendeiner Form oder mit irgendwelchen Mitteln ohne ausdrückliche Genehmigung von Berhimi reproduziert oder übertragen werden. Die hierin enthaltenen Informationen können ohne Vorankündigung geändert werden. Einige von Berhimi und seinen Vertriebspartnern vermarktete Produkte enthalten proprietäre Komponenten anderer Anbieter.

Nationale Produktspezifikationen können variieren. Diese Materialien werden von Berhimi ausschließlich zu Informationszwecken bereitgestellt, ohne jegliche Zusicherung oder Gewährleistung. Berhimi haftet nicht für Fehler oder Auslassungen in diesen Materialien. Die einzigen Gewährleistungen für Berhimi-Produkte und -Dienstleistungen sind diejenigen, die in den ausdrücklichen Gewährleistungserklärungen für solche Produkte und Dienstleistungen festgelegt sind, falls vorhanden. Nichts hierin ist als eine zusätzliche Gewährleistung auszulegen.

Die hierin erwähnten Berhimi-Produkte und -Dienstleistungen sowie deren jeweilige Logos sind Marken oder eingetragene Marken der Berr GmbH in Deutschland und anderen Ländern. Alle anderen erwähnten Produkt- und Dienstleistungsnamen sind Marken der jeweiligen Unternehmen.



